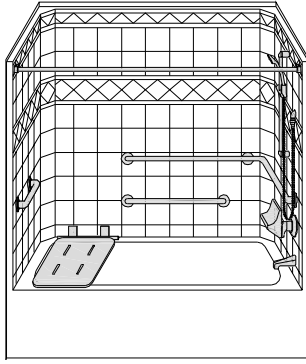


# MODEL: DTS6032A17 "ACCESSIBLE"

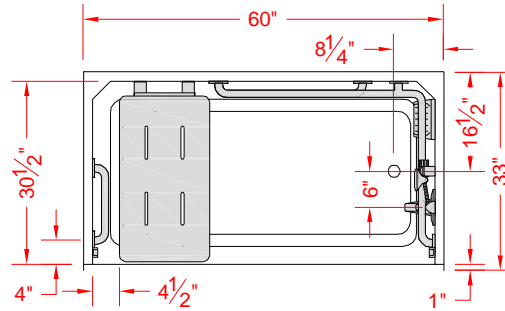
OPPOSITE HAND ALSO AVAILABLE



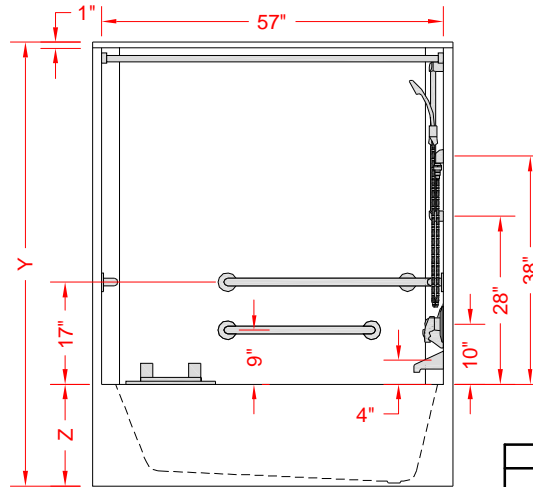
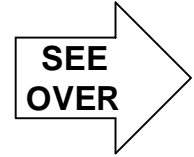
CA TITLE 24  
COMPLIANT



PERSPECTIVE VIEW - N.T.S.  
MODEL SHOWN HERE AS:  
RIGHT PLUMBING  
LEFT SEAT



TOP VIEW - SCALE  $\frac{3}{8}'' = 1'-0''$



INT. FRONT ELEVATION - SCALE:  $\frac{3}{8}'' = 1'-0''$

## Features:

- California title 24 compliant
- ADA compliant bathtub
- Molded, one piece fiberglass tub/shower module
- "Diamond Tile" wall finish, white (standard)
- Integral full wood backing for strength and unlimited accessory placement

MODEL #	UNIT HEIGHT	THRESHOLD HEIGHT
DTS6032A17	74"	17"
-	-	-

\* - SEE BACK FOR DETAIL SECTIONS

## PRODUCT SPECIFICATIONS:

- One piece tub/shower module shall be constructed of gelcoat/fiberglass with full integral plywood backing
- Rough-In: Stud opening +1/4" -0" Nominal Dimensions.

C.S.I. FORMAT SPECIFICATION TEXT AVAILABLE

## PRODUCT INFORMATION:

- Accessories: Factory installed, unless prone to damage during installation/shipping. Polished chrome/satin stainless standard, others available.
- Colors: White as standard, others to match any major fixture manufacturer, also available with sprayable solid surface in many colors

## ACCESSORIES:

### INSTALLED AT FACTORY:

- 27" x 36" L-grab bar PC White
- 24" grab bar PC White
- 12" grab bar PC White
- 30" x 15" fold down phenolic seat
- Symmons 15-2-X-FG mixing valve, pressure balanced, lever handle, preplumbed tree to supply elbow
- Alsons 462BG hand shower
- Alsons 4910BG vacuum breaker
- Alsons 4980BX supply elbow
- Alsons 490-80BG hose
- Soap dish
- Corrugated protective pad

### INSTALLED BY OTHERS:

- Curtain rod & brackets

## CODES:

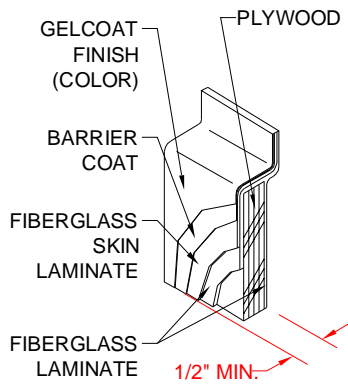
- Designed and manufactured in compliance with the following standards and codes:
- A.N.S.I. Z124.1 Standards for Plastic Bathtubs
  - U.P.C. Uniform Plumbing Code
  - A.N.S.I. A117.1 Accessible and Usable Buildings and Facilities
  - California Building Code Title 24
  - City of Los Angeles Building Code
  - A.D.A. Accessibility Guidelines for Buildings and Facilities

## NOTICE OF LIMITATION:

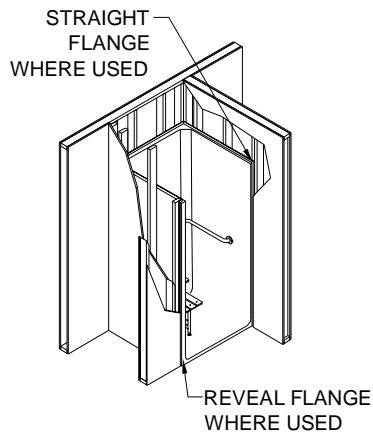


DIV. OF FIBERGLASS SYSTEMS INC.  
www.best-bath.com 1-800-727-9907

We reserve the right to make revisions without notice in the design of fixtures or in packaging unless this right has specifically been waived at the time the order is accepted.



**DETAIL B - SCALE: 3" = 1'-0"**  
**WALL SECTION DETAIL**



**DETAIL C - SCALE: NTS**  
**TYPICAL FRAMING**