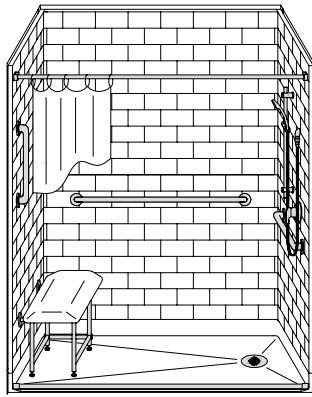


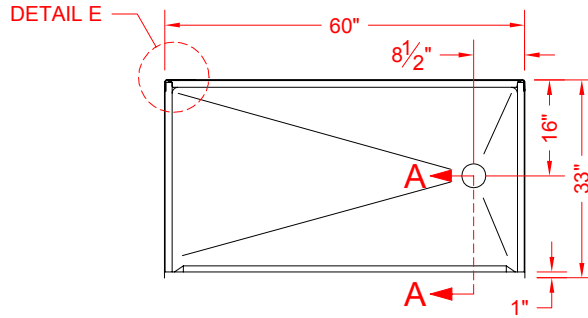
# MODEL: 5LBS6032FBE75B\*

# BARRIER FREE

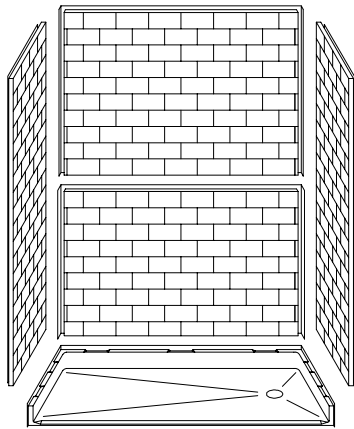
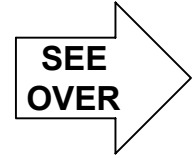
ALL ACCESSORIES OPTIONAL



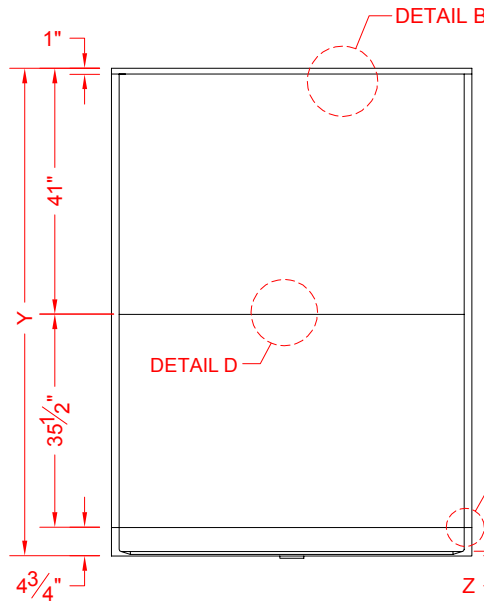
**PERSPECTIVE VIEW - N.T.S.**  
**MODEL SHOWN HERE AS:**  
 RIGHT PLUMBING  
 LEFT SEAT  
 RIGHT DRAIN



**TOP VIEW - SCALE  $\frac{3}{8}'' = 1'-0''$**



**ASSEMBLY VIEW - N.T.S.**



**FRONT ELEVATION - SCALE:  $\frac{3}{8}'' = 1'-0''$**

## Features:

- Molded, 5 piece gelcoat/fiberglass shower module
- Available in various threshold heights
- "Subway Tile", 4" x 8" simulated tile wall finish, white (standard)
- Integral full wood backing for strength and unlimited accessory placement
- On all threshold heights 1-1/2" or taller, no mud set is required
- On all threshold heights 1-1/4" or shorter, no mud set is required and an anchoring adhesive kit is supplied
- Flat upper back wall to avoid interference for window trim kits, grab bars, etc.

## \*OTHER THRESHOLD HEIGHTS AVAILABLE UPON REQUEST

MODEL #	UNIT HEIGHT	THRESHOLD HEIGHT
5LBS6032FBE75B	Y	Z*
5LBS6032FBE2B	81-1/4"	3/4" MIN.
	82-1/2"	2" MAX.

\* - SEE BACK FOR DETAIL SECTIONS

## PRODUCT SPECIFICATIONS:

- Multi piece shower module shall be constructed of gelcoat/fiberglass with full integral plywood backing
- Rough-In: Stud opening +1/4" -0" Nominal Dimensions.

C.S.I. FORMAT SPECIFICATION TEXT AVAILABLE

### PRODUCT INFORMATION:

- Accessories: Factory installed, unless prone to damage during installation/shipping. Polished chrome/satin stainless standard, others available.
- Colors: White as standard, others to match any major fixture manufacturer, also available with sprayable solid surface in many colors
- Custom curb heights, other than shown, are available (between min. and max.)

### ACCESSORIES:

#### INSTALLED BY OTHERS:

- Grab bar
- Seat, folding
- Mixing valve, pressure balanced, lever handle, preplumbed tree to supply elbow
- Curtain and rod
- T-Shaped Rubber WaterStopper Kit
- Semi-permanent Threshold Adaptor
- Caulkless drain

### CODES:

- Designed and manufactured in compliance with the following standards and codes:
- A.N.S.I. Z124.2 Standards for Plastic Showers
  - I.P.C. International Plumbing Code
  - U.P.C. Uniform Plumbing Code

### NOTICE OF LIMITATION:

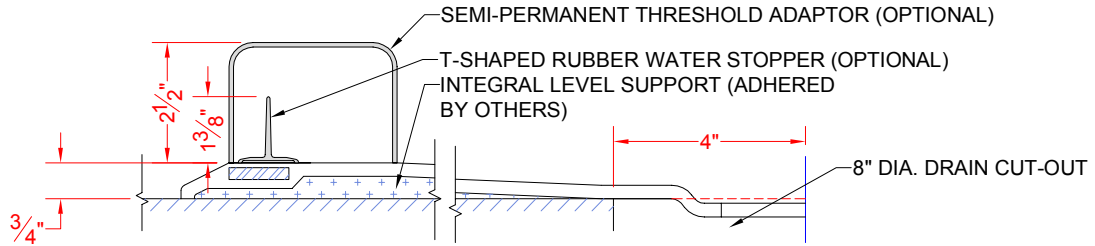
- Adhere to floor as required



BEST BATH SYSTEMS INC.  
 www.best-bath.com 1-800-727-9907

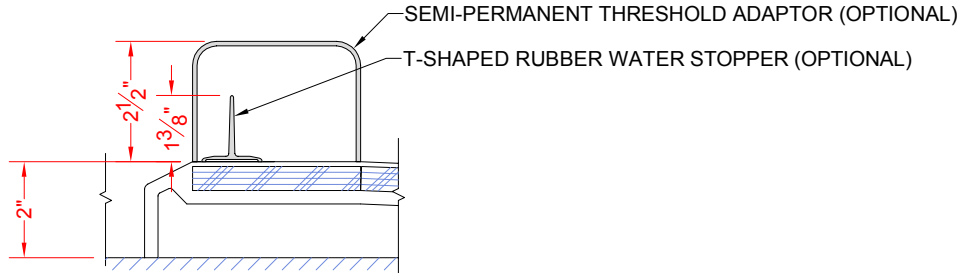
*We reserve the right to make revisions without notice in the design of fixtures or in packaging unless this right has specifically been waived at the time the order is accepted.*

5LBS6032FBE75B



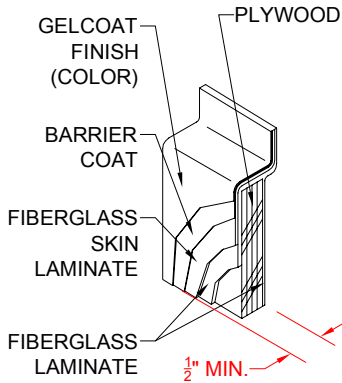
SECTION A-A - SCALE: 3" = 1'-0"

5LBS6032FBE2B

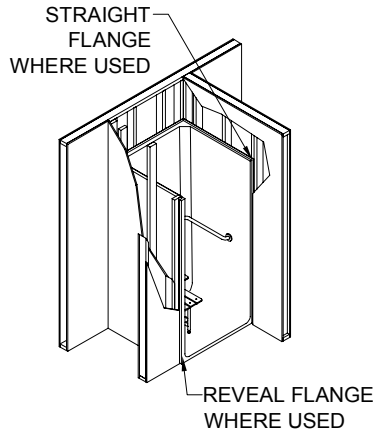


SECTION A-A - SCALE: 3" = 1'-0"

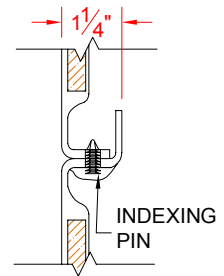
**\*\*OTHER THRESHOLD HEIGHTS AVAILABLE UPON REQUEST\*\***



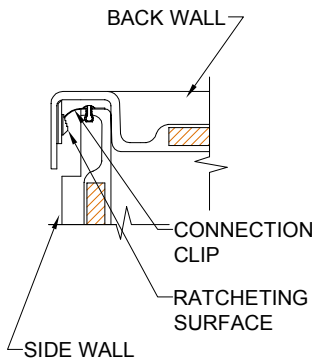
DETAIL B - SCALE: N.T.S.  
WALL SECTION DETAIL



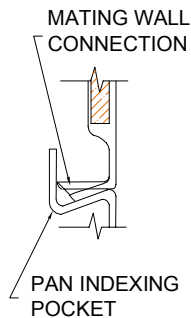
DETAIL C - SCALE: N.T.S.  
TYPICAL FRAMING



DETAIL D - SCALE: N.T.S.  
BACKWALL JOINT DETAIL



DETAIL E - SCALE: N.T.S.  
WALL JOINT DETAIL



DETAIL F - SCALE: N.T.S.  
PAN JOINT DETAIL



BEST BATH SYSTEMS INC.  
www.best-bath.com 1-800-727-9907