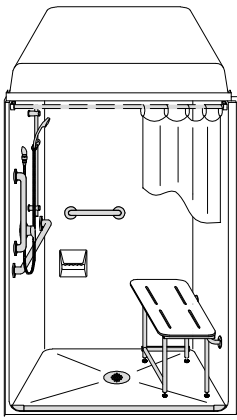
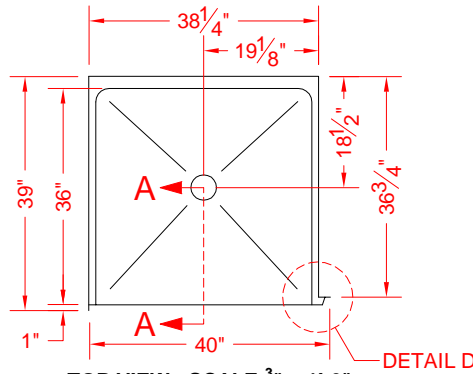


MODEL: LSS4038A5TD*

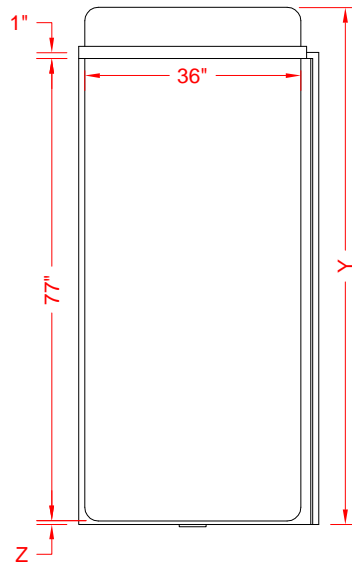
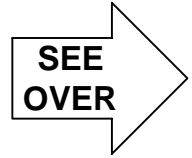


PERSPECTIVE VIEW - N.T.S.
MODEL SHOWN HERE AS:
 RIGHT REVEAL
 RIGHT SEAT
 LEFT PLUMBING

ALL ACCESSORIES OPTIONAL



TOP VIEW - SCALE $\frac{3}{8}'' = 1'-0''$
(DOME REMOVED FOR CLARITY)



FRONT ELEVATION - SCALE: $\frac{3}{8}'' = 1'-0''$

Features:

- ADA compliant transfer shower
- Available in various threshold heights
- Molded, one piece gelcoat/fiberglass shower module with factory mounted matching dome
- "Smooth" finish, white (standard)
- Integral full wood backing for strength and unlimited accessory placement
- "Reveal 90" front flange design allows for clear floor space and transfer
- On all threshold heights 1-1/2" or taller, no mud set is required
- On all threshold heights 1-1/4" or shorter, no mud set is required and an anchoring adhesive kit is supplied

*OTHER THRESHOLD HEIGHTS AVAILABLE UPON REQUEST

MODEL #	UNIT	THRESHOLD
	HEIGHT	HEIGHT
LSS4038A5TD	Y	Z*
LSS4038A2TD	86-1/8"	5/8" MIN.
	87-1/2"	2" MAX.

* - SEE BACK FOR DETAIL SECTIONS

PRODUCT SPECIFICATIONS:

- One piece shower module shall be constructed of gelcoat/fiberglass with full integral plywood backing with matching dome factory installed
- Rough-In: Stud opening +1/4" -0" Nominal Dimensions.

C.S.I. FORMAT SPECIFICATION TEXT AVAILABLE

PRODUCT INFORMATION:

- Accessories: Factory installed, unless prone to damage during installation/shipping. Polished chrome/satin stainless standard, others available.
- Colors: White as standard, others to match any major fixture manufacturer, also available with sprayable solid surface in many colors
- Custom curb heights, other than shown, are available (between min. and max.)

ACCESSORIES:

INSTALLED AT FACTORY:

- Grab bar
- Seat, folding
- Mixing valve, pressure balanced, lever handle, preplumbed tree to supply elbow
- Soap dish

INSTALLED BY OTHERS:

- Curtain and rod
- T-Shaped Rubber WaterStopper Kit
- Semi-permanent Threshold Adaptor
- Caulkless drain

CODES:

- Designed and manufactured in compliance with the following standards and codes:
- A.N.S.I. Z124.2 Standards for Plastic Showers
 - I.P.C. International Plumbing Code
 - A.D.A. Accessibility Guidelines for Buildings and Facilities
 - A.N.S.I. A117.1 Accessible and Usable Buildings and Facilities
 - U.P.C. Uniform Plumbing Code

NOTICE OF LIMITATION:

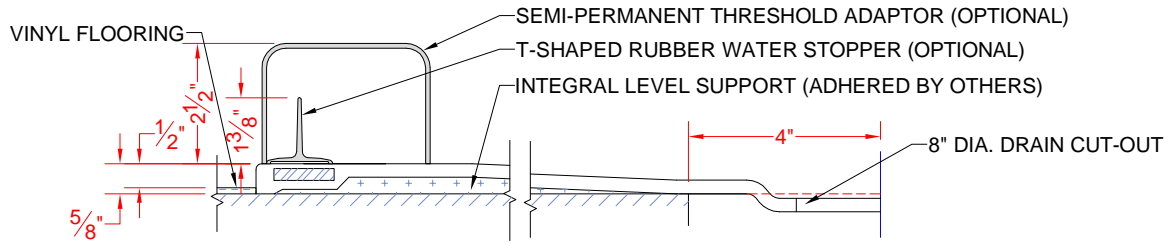
- Recess as needed to meet code
- Adhere to floor as required
- Reveal not recommended on common wall



BEST BATH SYSTEMS INC.
 www.best-bath.com 1-800-727-9907

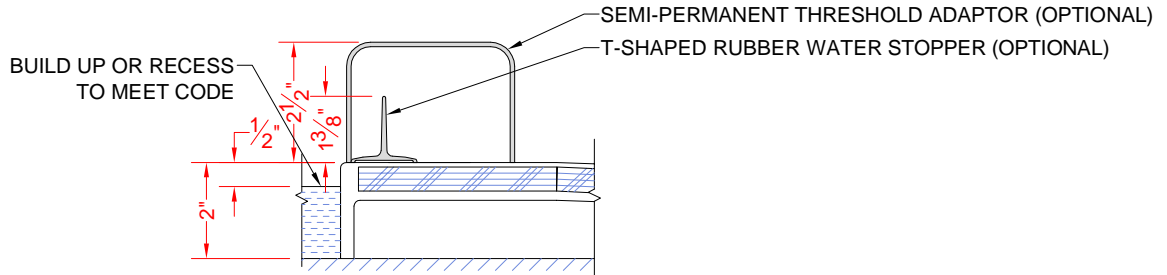
We reserve the right to make revisions without notice in the design of fixtures or in packaging unless this right has specifically been waived at the time the order is accepted.

LSS4038A5TD



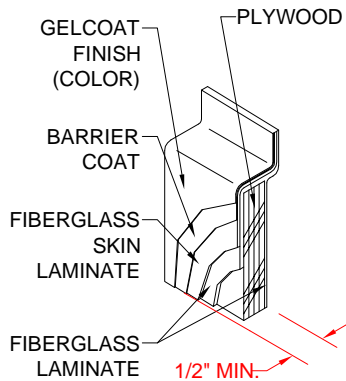
SECTION A-A - SCALE: 3" = 1'-0"

LSS4038A2TD

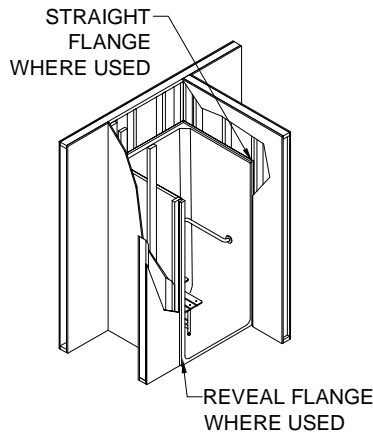


SECTION A-A - SCALE: 3" = 1'-0"

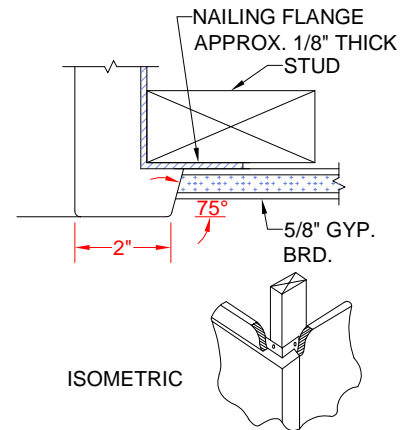
****OTHER THRESHOLD HEIGHTS AVAILABLE UPON REQUEST****



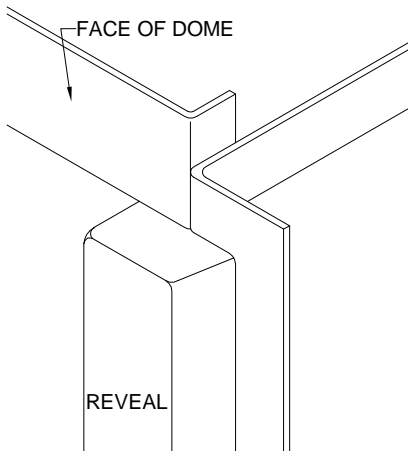
DETAIL B - SCALE: 3" = 1'-0"
WALL SECTION DETAIL



DETAIL C - SCALE: NTS
TYPICAL FRAMING



DETAIL D 1 - SCALE: 3" = 1'-0"
REVEAL DETAIL



DETAIL D 2 - SCALE: NTS
DOMES/REVEAL DETAIL



BEST BATH SYSTEMS INC.
www.best-bath.com 1-800-727-9907