

# 5LDS6033B17T

---



5 piece extra tall 60" x 30" barrier free shower with 1-3/4 inch threshold. Available in either left or right hand drain.

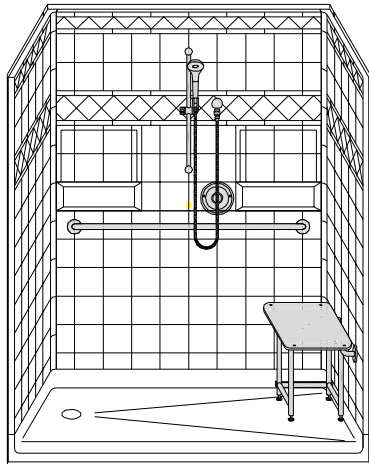
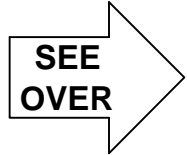
Strong, luxurious polyester gelcoat composite fiberglass shower with "Diamond tile" look finish. Full plywood backing on all walls for outstanding strength and customized installation of accessories. Easy, snap-in-place installation from the front.

Dimensions:  
60" x 33" x 82"

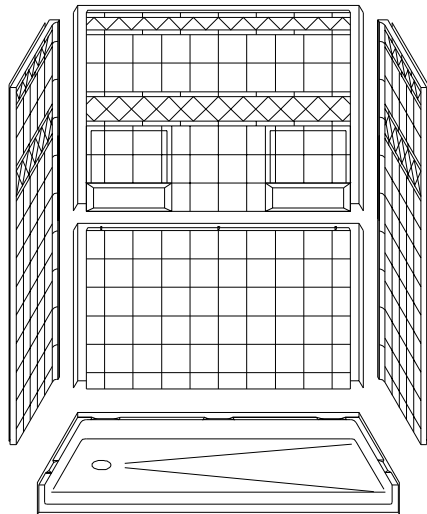
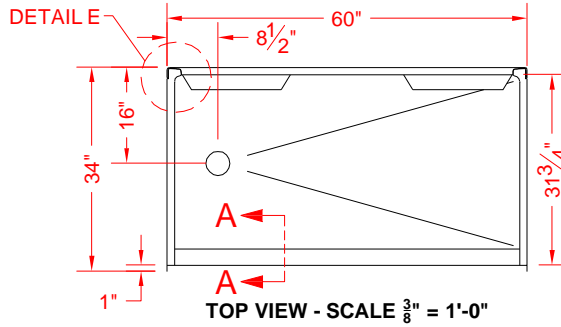
Accessories available: Safety bars, padded seat, shower valve, glide bar with hand held shower, curtain and rod, WaterStopper (water retainer), drain, window and flange trim kits for easy finish.

# MODEL: 5LDS6033B17T

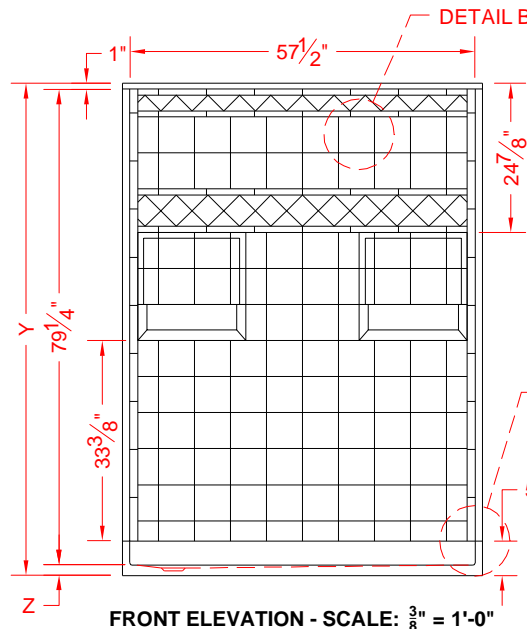
ALL ACCESSORIES OPTIONAL



**PERSPECTIVE VIEW - N.T.S.**



**ASSEMBLY VIEW - N.T.S.**



## Features:

- Molded, 5 piece gelcoat/fiberglass shower module
- Available in Left (shown) and Right Drain
- "Diamond Tile" wall finish, white (standard)
- Integral full wood backing for strength and unlimited accessory placement

	UNIT HEIGHT	THRESHOLD HEIGHT
MODEL #	Y	Z*
5LDS6033B17T	82"	1-3/4"
-	-	-

\* - SEE BACK FOR DETAIL SECTIONS

## PRODUCT SPECIFICATIONS:

- Multi piece shower module shall be constructed of gelcoat/fiberglass with full integral plywood backing
- Rough-In: Stud opening +1/4" -0" Nominal Dimensions.

C.S.I. FORMAT SPECIFICATION TEXT AVAILABLE

## PRODUCT INFORMATION:

- Accessories: Polished chrome/satin stainless standard, others available.
- Colors: White as standard, others to match any major fixture manufacturer, also available with sprayable solid surface in many colors
- Custom curb heights, other than shown, are available (between min. and max.)

## ACCESSORIES:

### INSTALLED BY OTHERS:

- Grab bar
- Seat, folding
- Mixing valve, pressure balanced, lever handle, preplumbed tee to supply elbow
- Curtain and rod
- Collapsible Rubber Water Retainer
- Semi-permanent Threshold Adaptor
- Caulkless drain

## CODES:

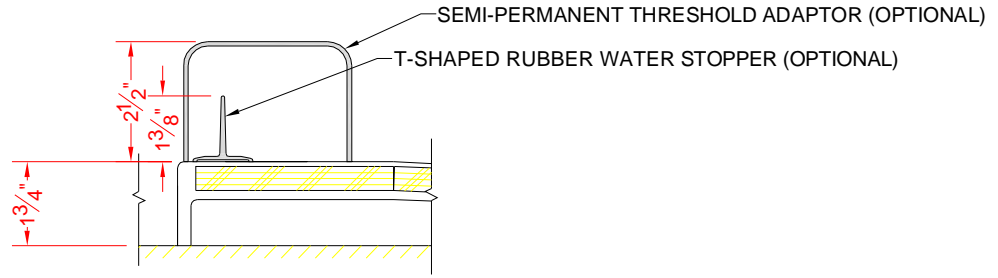
- Designed and manufactured in compliance with the following standards and codes:
- A.N.S.I. Z124.2 Standards for Plastic Showers
  - I.P.C. International Plumbing Code
  - U.P.C. Uniform Plumbing Code

## NOTICE OF LIMITATION:

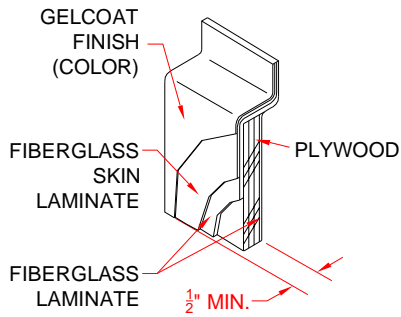


DIV. OF FIBERGLASS SYSTEMS INC.  
www.best-bath.com 1-800-727-9907

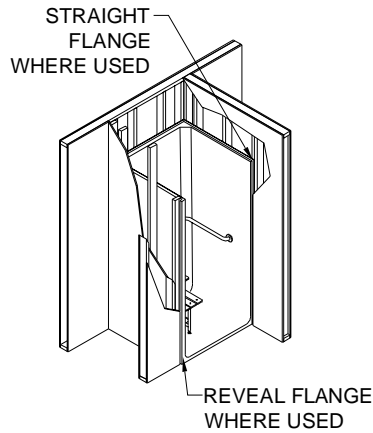
We reserve the right to make revisions without notice in the design of fixtures or in packaging unless this right has specifically been waived at the time the order is accepted.



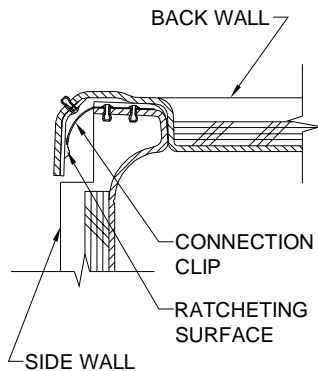
SECTION A-A - SCALE: 3" = 1'-0"



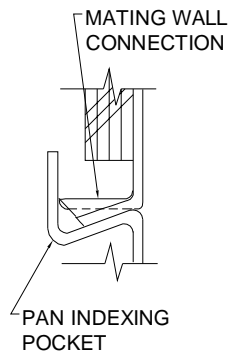
DETAIL B - SCALE: 3" = 1'-0"  
WALL SECTION DETAIL



DETAIL C - SCALE: NTS  
TYPICAL FRAMING



DETAIL E - SCALE: NTS  
WALL JOINT DETAIL



DETAIL F - SCALE: NTS  
PAN JOINT DETAIL